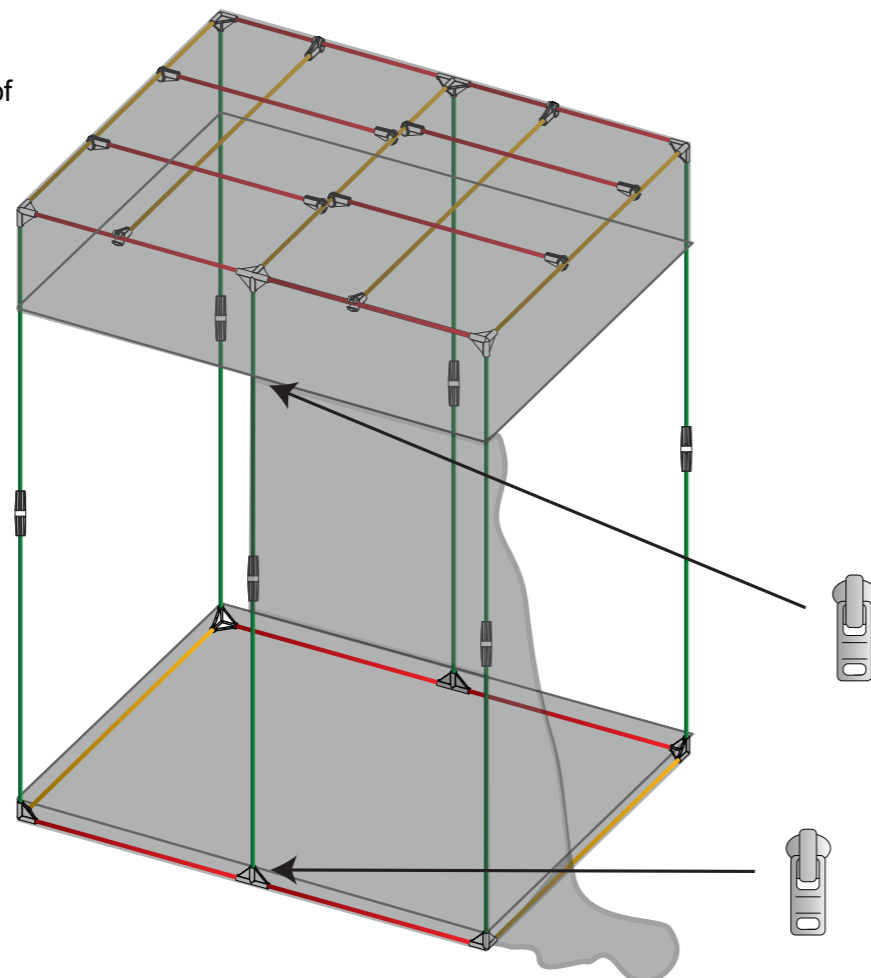


**Step 5**

Connect wall panel zip to the roof and floor zips.



Assembly Instructions

One Person Assembly

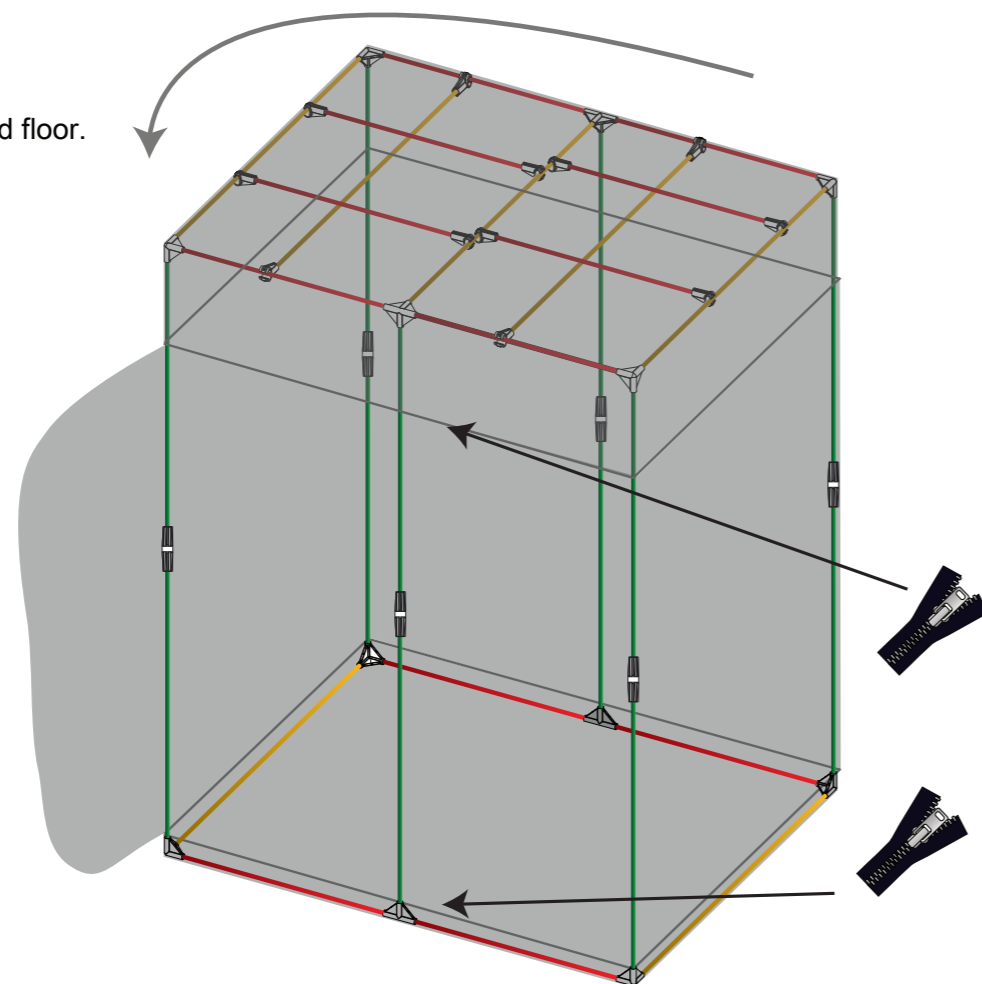
# Mammoth EliteHC G1 Assembly Guide

Equipment Hangers



**Step 6**

Zip the wall panel to the roof and floor.



## Parts List



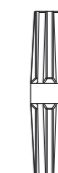
Red Pole  
x12



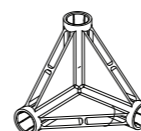
Green Pole  
x12



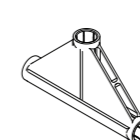
Yellow Pole  
x7



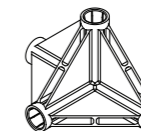
Straight  
Connector  
x6



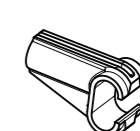
3-Way  
Corner  
x8



3-Way  
T Piece  
x2



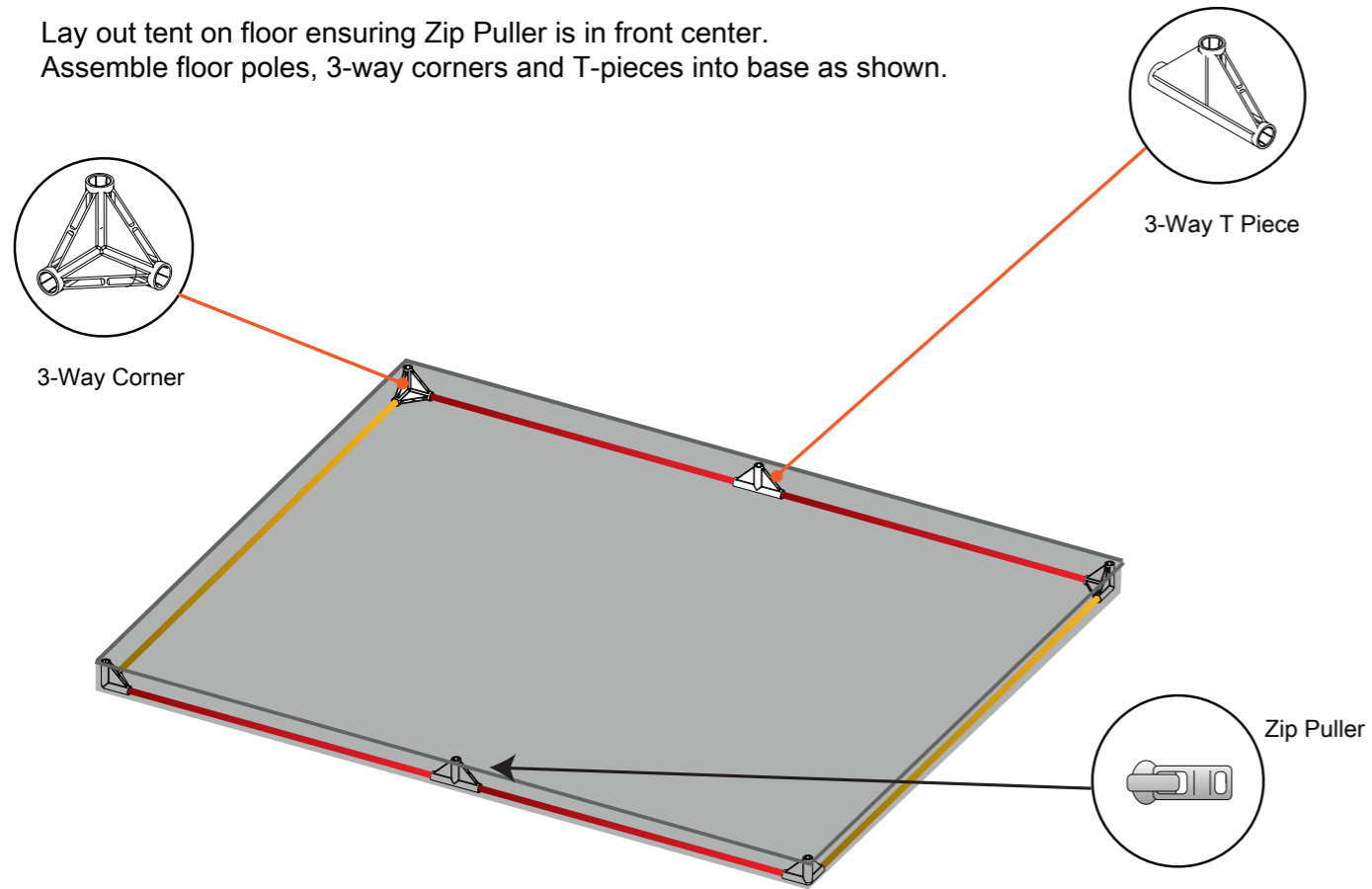
4-Way  
Join  
x2



Equipment  
Hanger Ends  
x12

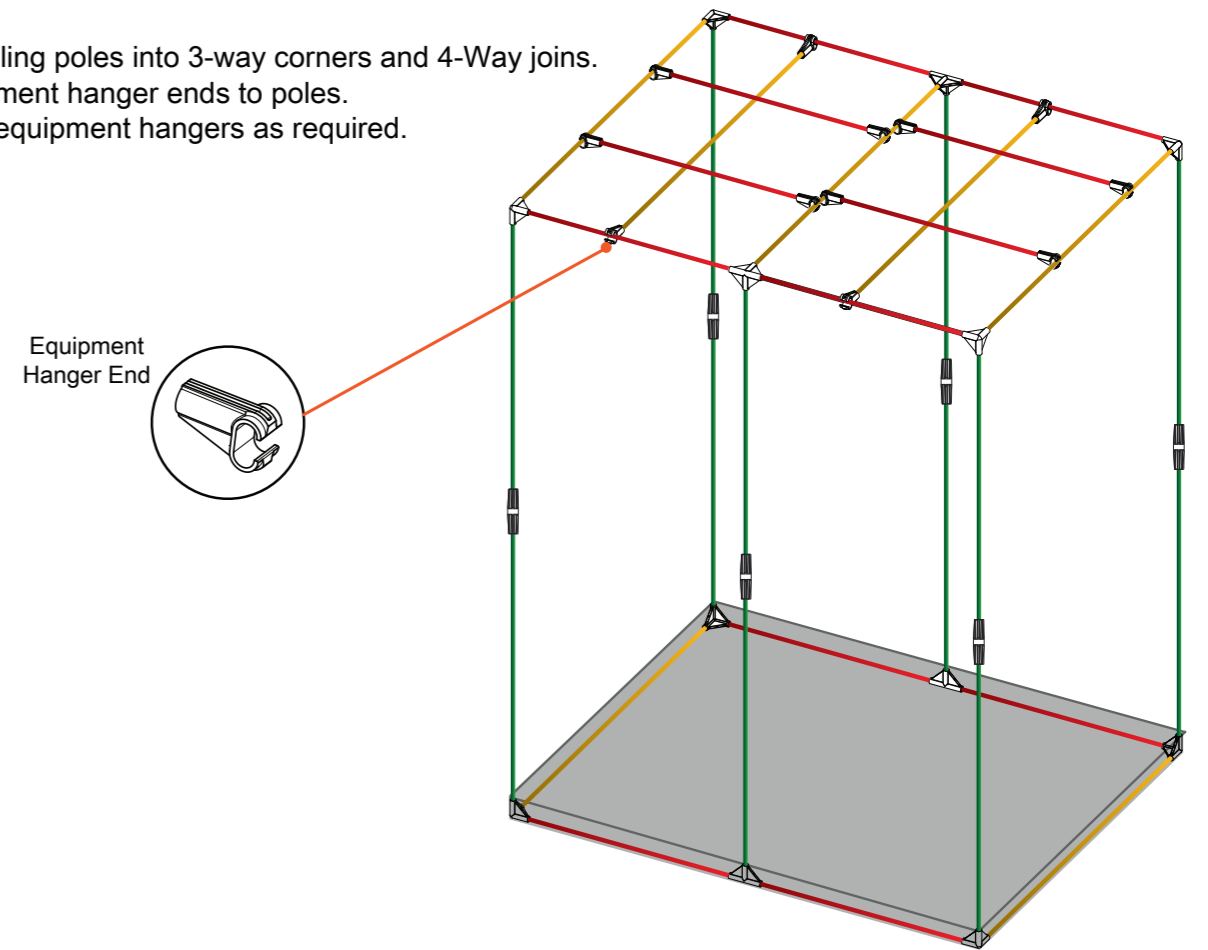
**Step 1**

Lay out tent on floor ensuring Zip Puller is in front center.  
Assemble floor poles, 3-way corners and T-pieces into base as shown.



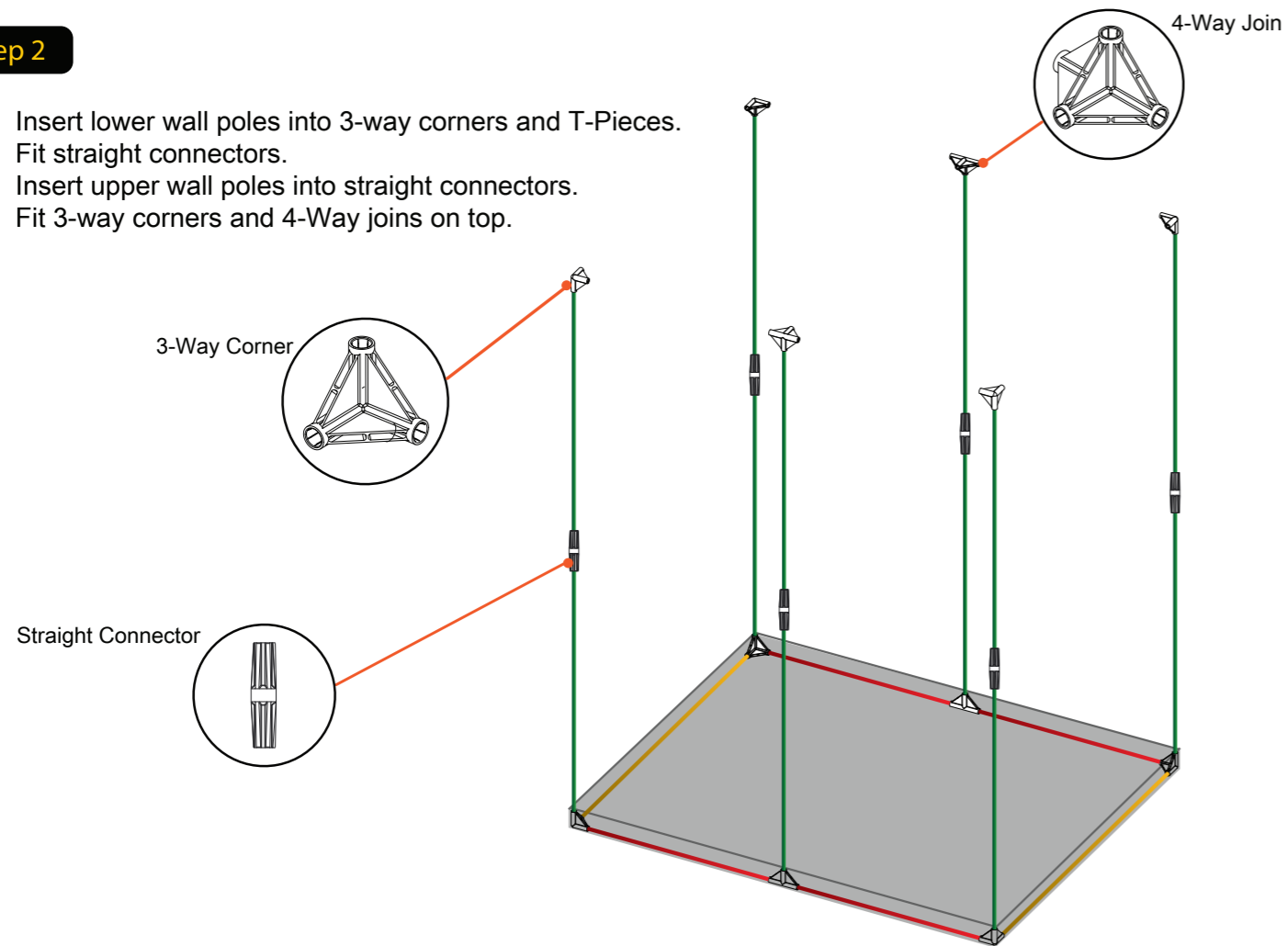
**Step 3**

Insert ceiling poles into 3-way corners and 4-Way joins.  
Fit equipment hanger ends to poles.  
Position equipment hangers as required.



**Step 2**

Insert lower wall poles into 3-way corners and T-Pieces.  
Fit straight connectors.  
Insert upper wall poles into straight connectors.  
Fit 3-way corners and 4-Way joins on top.



**Step 4**

Fit tent roof over frame ensuring Zip Puller is in front center.

