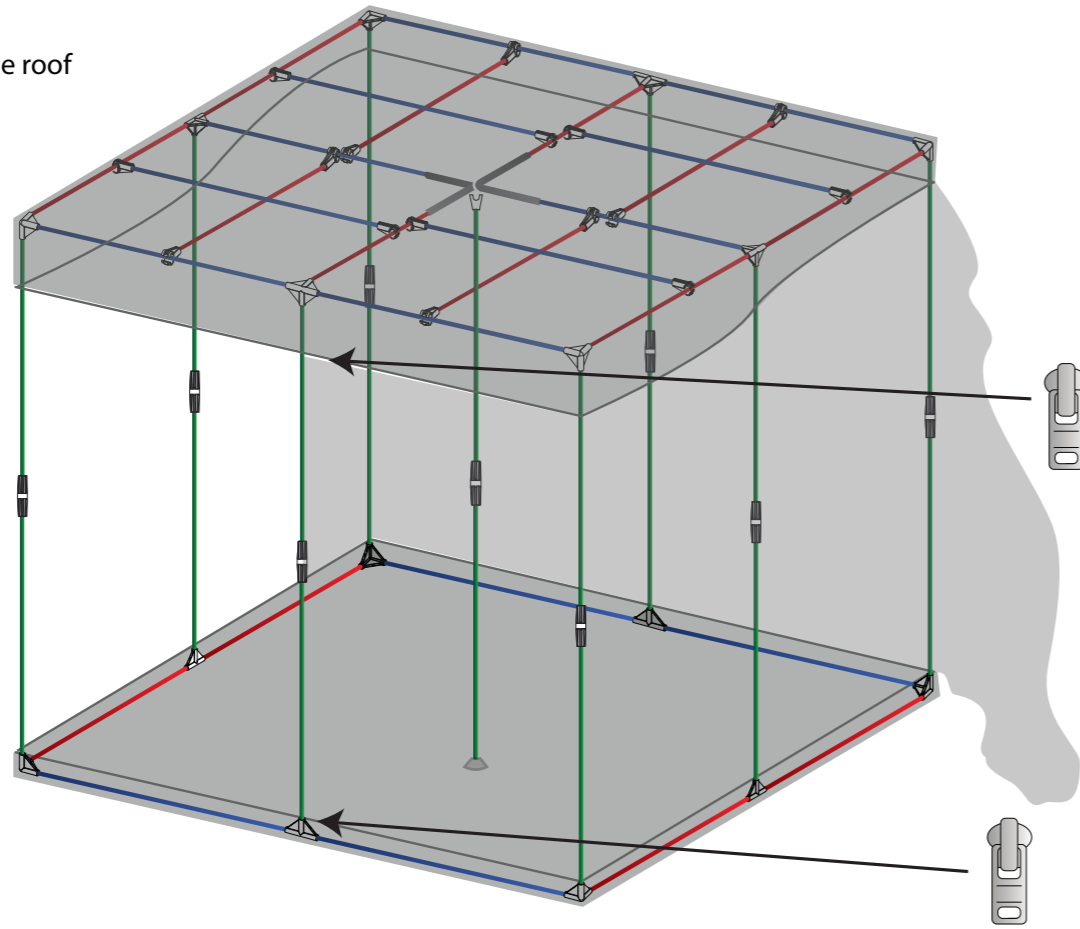


Step 5

Connect wall panel zip to the roof and floor zips.



Assembly Instructions

Two Person Assembly



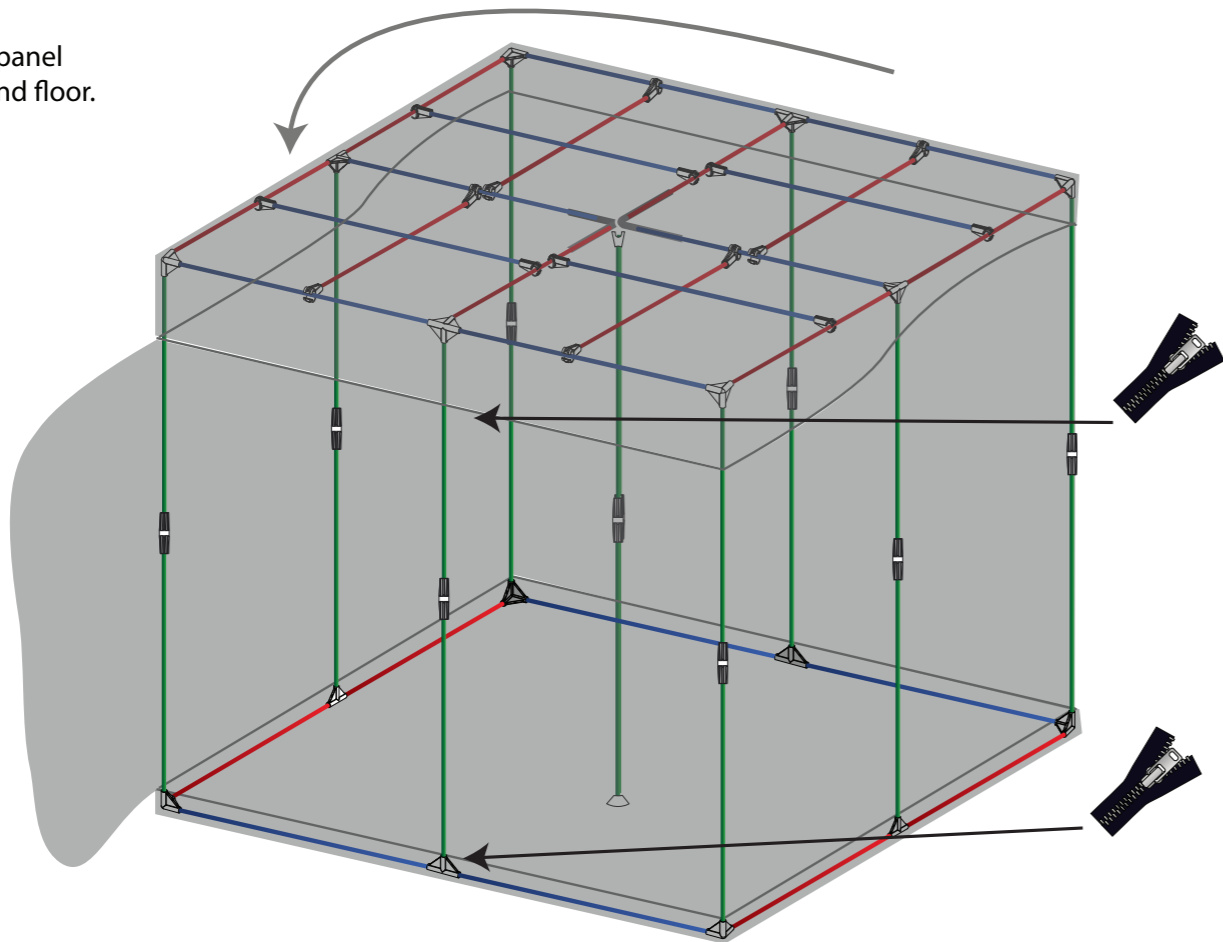
Mammoth Elite G2 Assembly Guide

Equipment Hangers




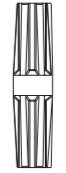
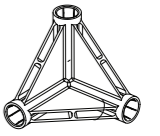
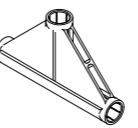
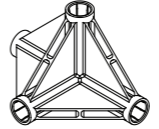
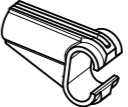


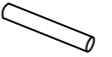



Step 6

Zip the wall panel to the roof and floor.

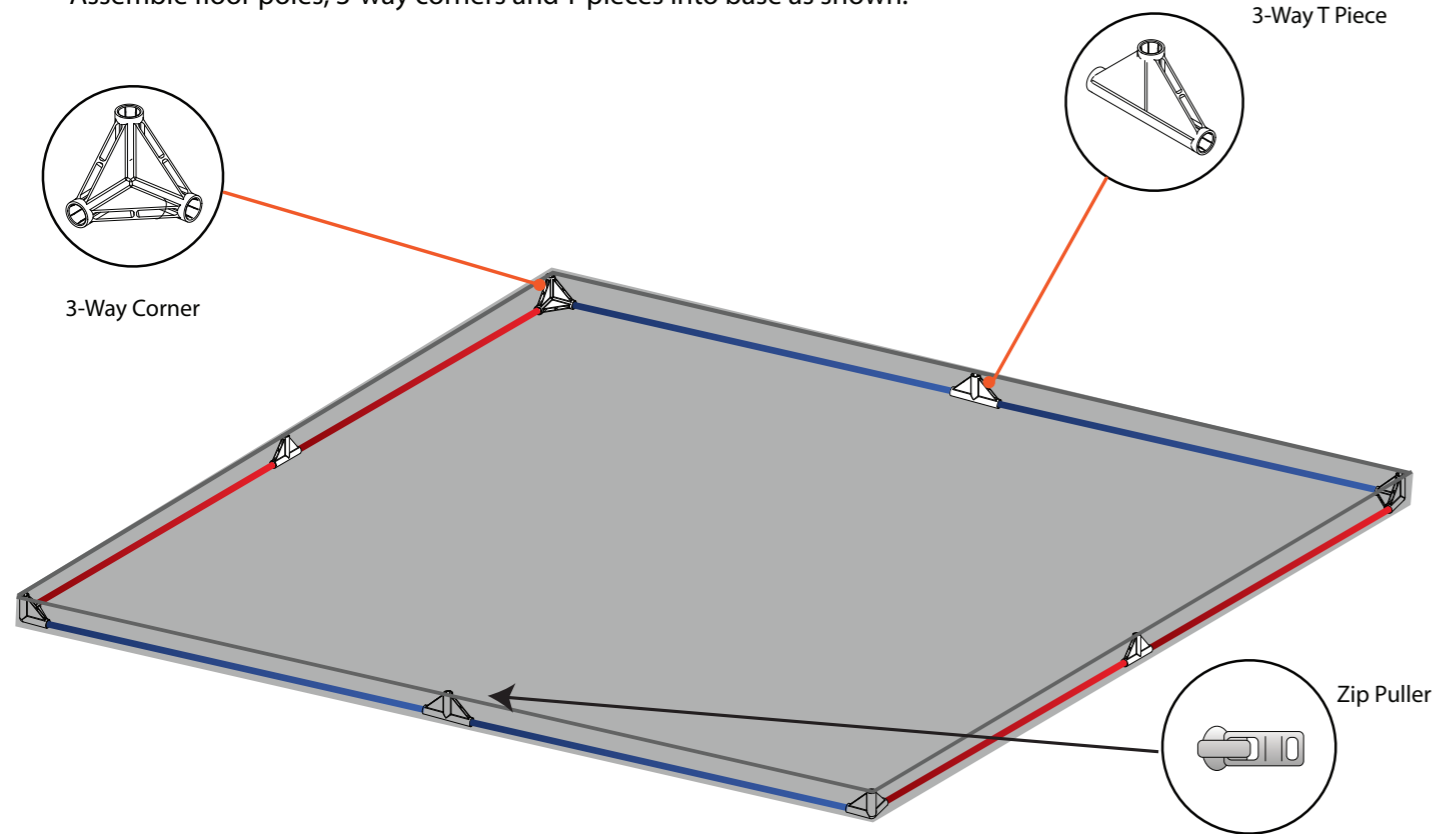


Parts List

- | | | | | |
|--|--|---|---|--|
| 
Red Pole
x14 | 
Green Pole
x18 | 
Blue Pole
x14 | 
Straight Connector
x9 | 
3-Way Corner
x8 |
| 
3-Way T Piece
x4 | 
4-Way Join
x4 | 
Equipment Hanger Ends
x16 | 
Support Pole Rubber Foot
x1 | 
Support Pole Rubber Top
x1 |
| 
Straight Pole Connectors x2 | | 
Centre Securing Ring x1 | | |

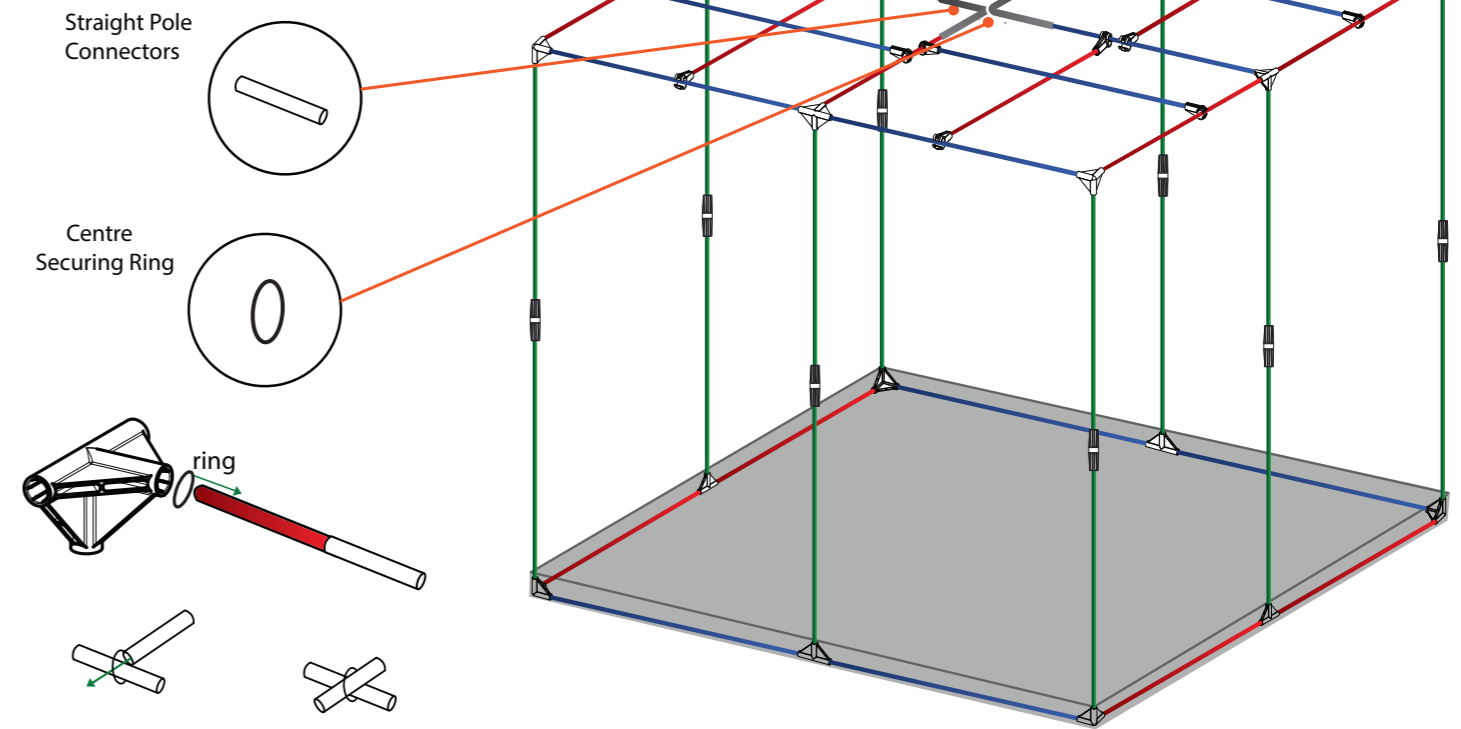
Step 1

Lay out tent on floor ensuring Zip Puller is at back center.
Assemble floor poles, 3-way corners and T-pieces into base as shown.



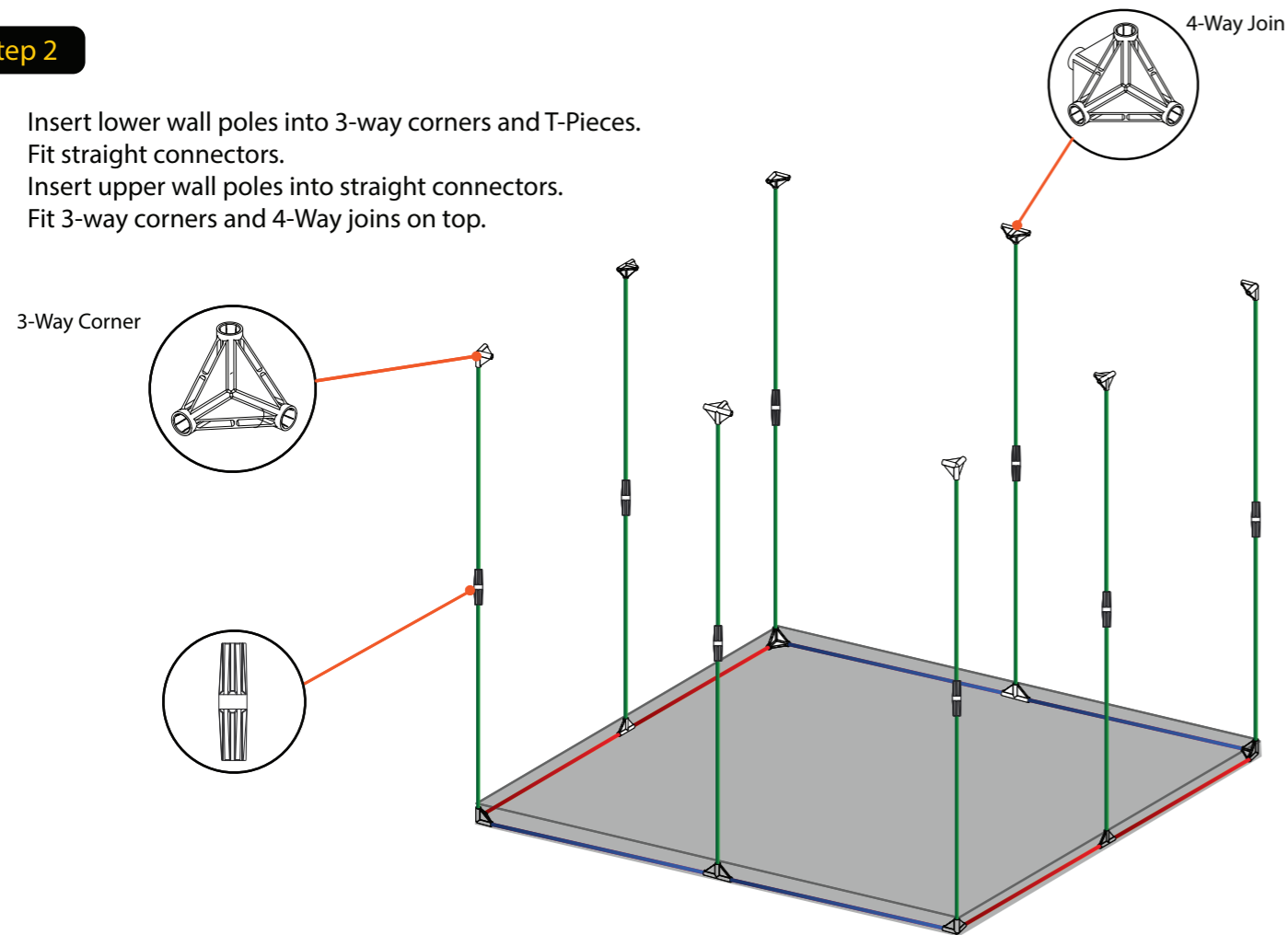
Step 3

Insert ceiling poles into 3-way corners and 4-Way joins.
Fit centre securing ring over pole before fitting to 4-way join.
Fit centre ceiling poles into straight pole connectors.
Fit equipment hanger ends to poles.
Position equipment hangers as required.



Step 2

Insert lower wall poles into 3-way corners and T-Pieces.
Fit straight connectors.
Insert upper wall poles into straight connectors.
Fit 3-way corners and 4-Way joins on top.



Step 4

Fit tent roof over frame ensuring Zip Puller is at back center.
Fit support pole.

