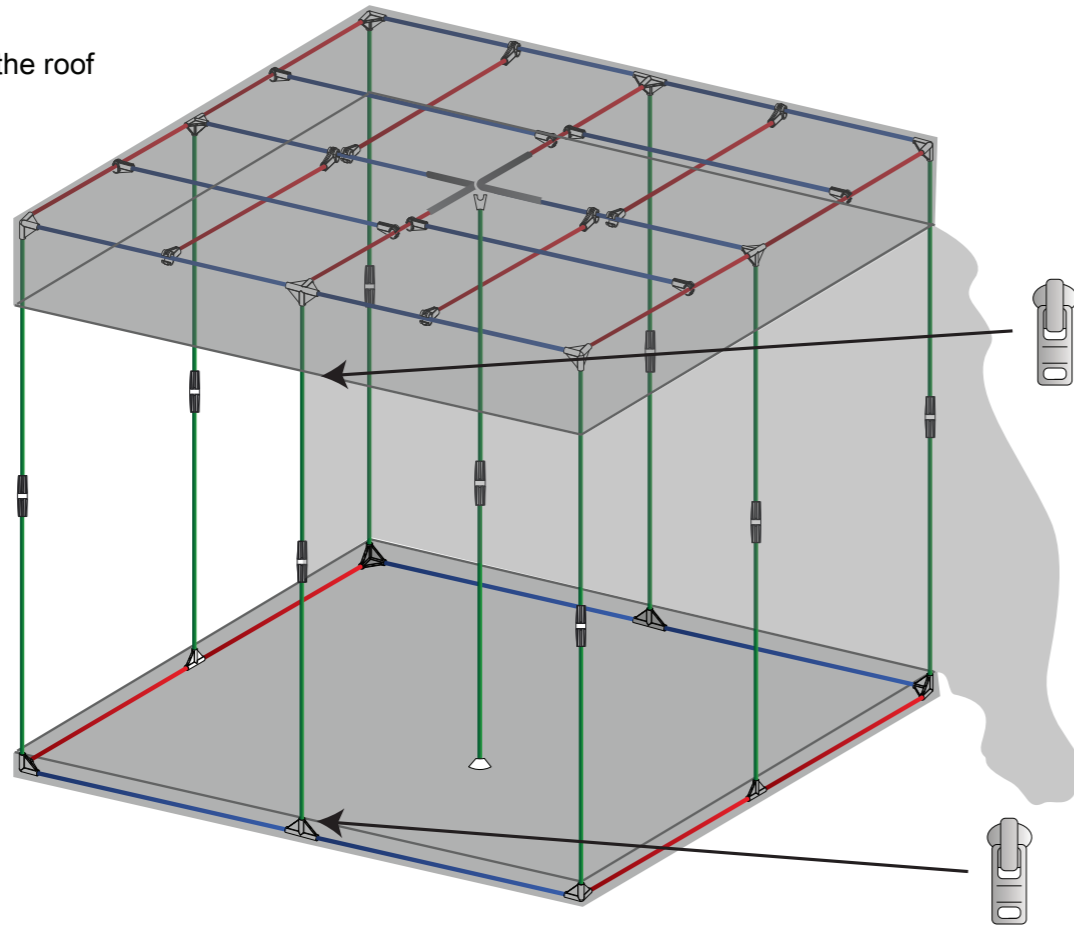


**Step 5**

Connect wall panel zip to the roof and floor zips.



Assembly Instructions

Two Person Assembly

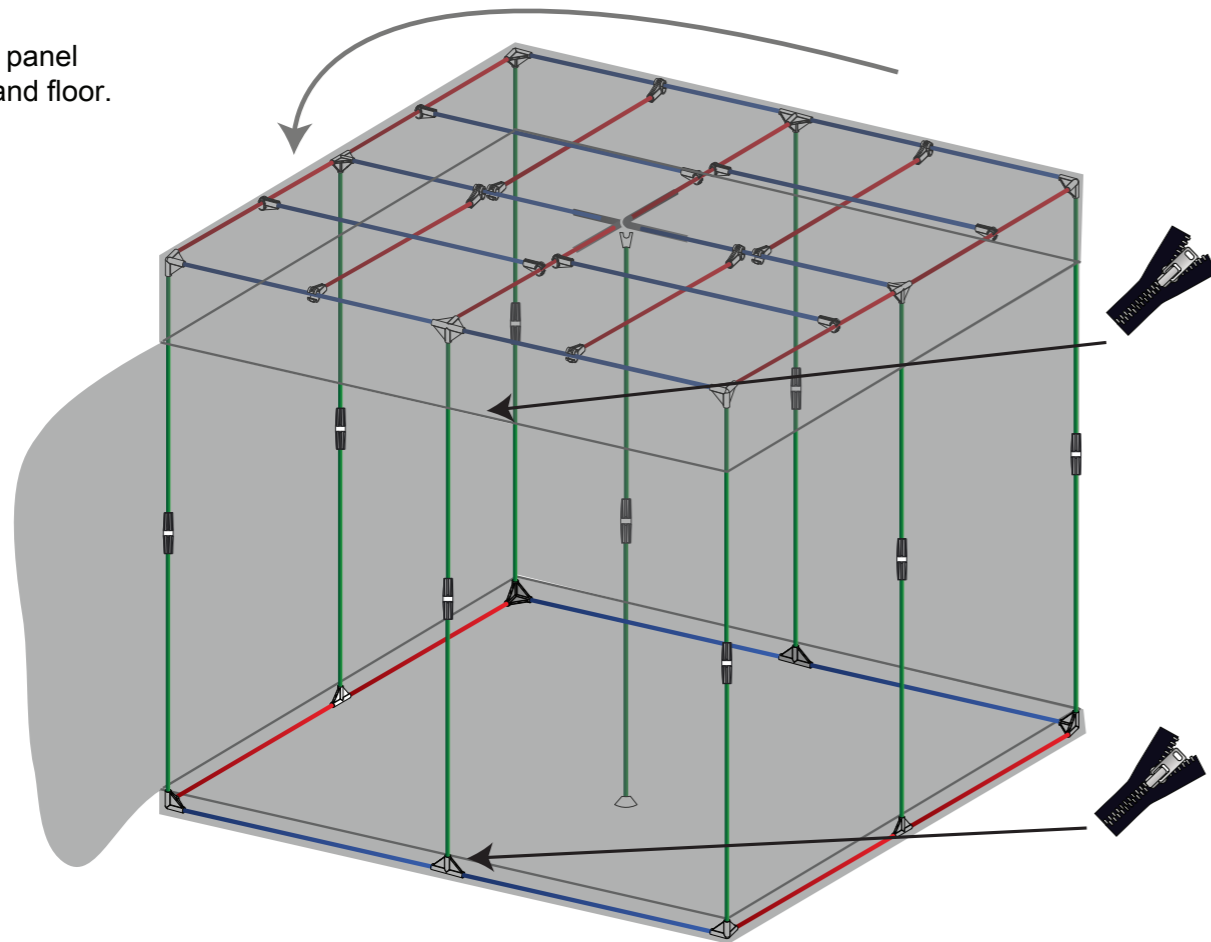
# Mammoth EliteHC G2 Assembly Guide

Equipment Hangers




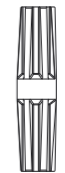
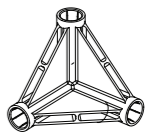
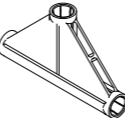
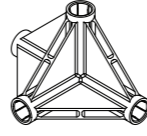
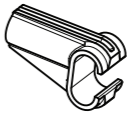


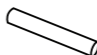



**Step 6**

Zip the wall panel to the roof and floor.

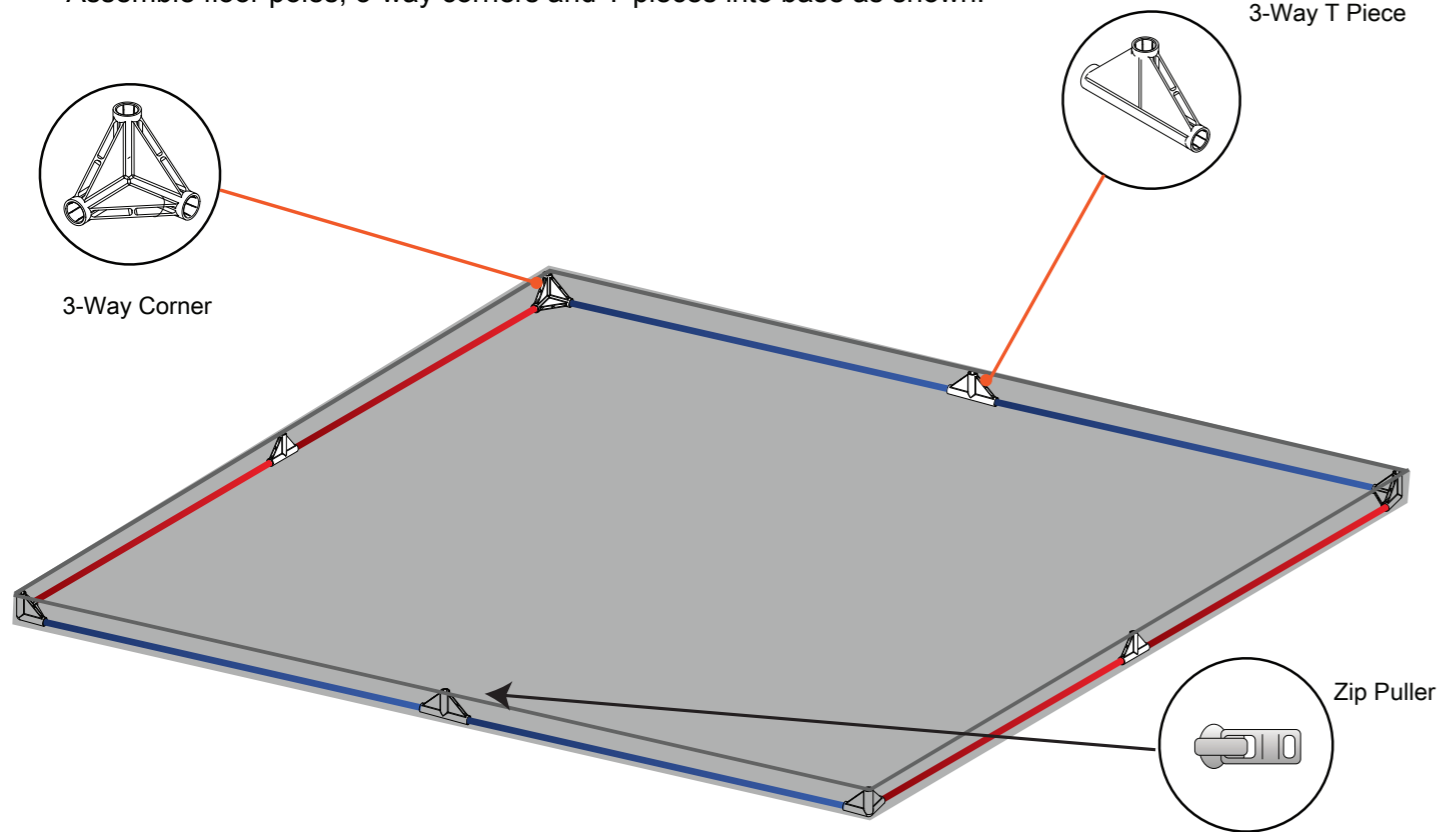


## Parts List

- |   |   |   |   |   |
|---|---|---|---|---|
|  |  |  |  |  |
| Red Pole<br>x14   | Green Pole<br>x18   | Blue Pole<br>x14  | Straight<br>Connector<br>x9   | 3-Way<br>Corner<br>x8   |
|  |  |  |  |  |
| 3-Way<br>T Piece<br>x4  | 4-Way<br>Join<br>x4   | Equipment<br>Hanger Ends<br>x16   | Support Pole<br>Rubber Foot<br>x1   | Support Pole<br>Rubber Top<br>x1  |
| Straight Pole Connectors x2   |   |  | Centre Securing Ring x1   |  |

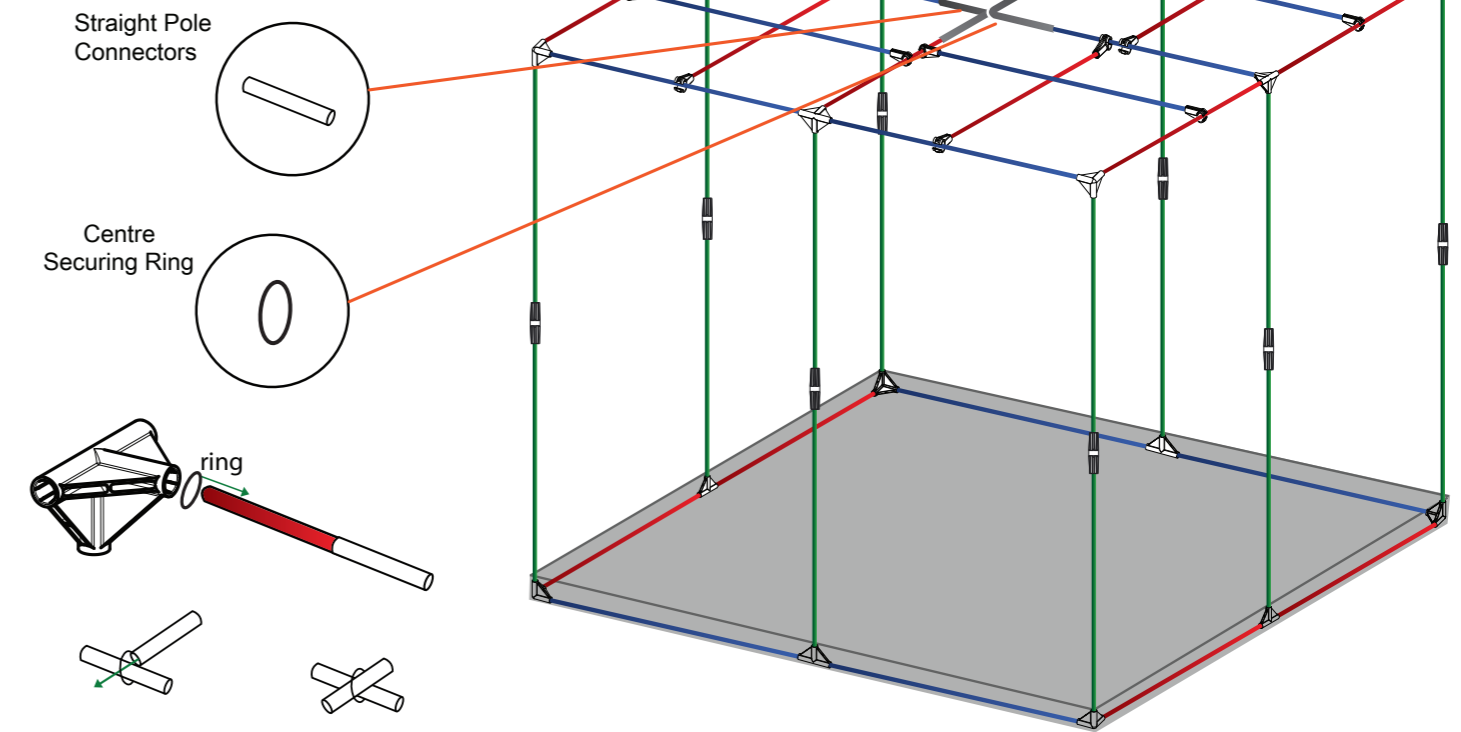
### Step 1

Lay out tent on floor ensuring Zip Puller is in front center.  
Assemble floor poles, 3-way corners and T-pieces into base as shown.



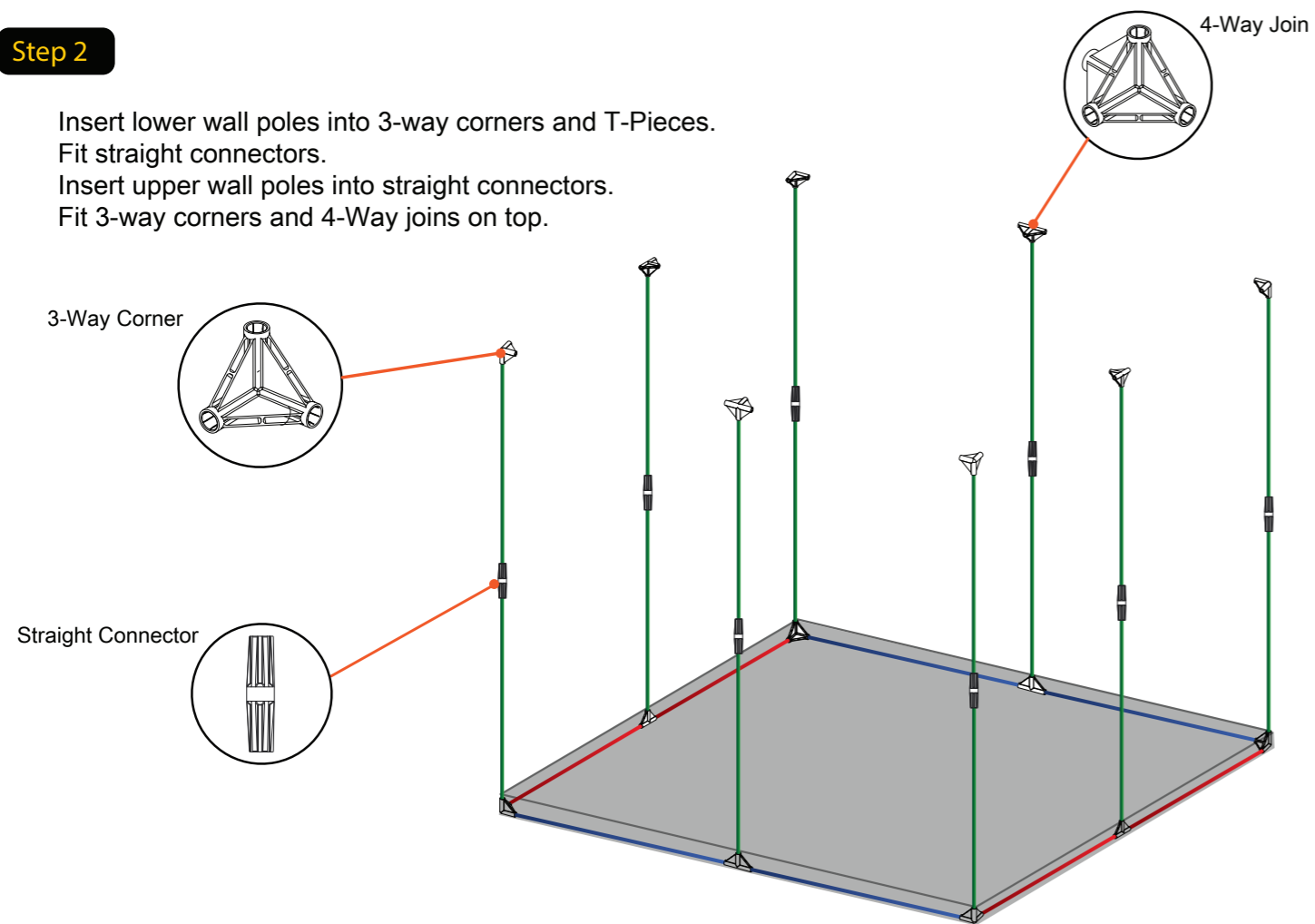
### Step 3

Insert ceiling poles into 3-way corners and 4-Way joins.  
Fit centre securing ring over pole before fitting to 4-way join.  
Fit centre ceiling poles into straight pole connectors.  
Fit equipment hanger ends to poles.  
Position equipment hangers as required.



### Step 2

Insert lower wall poles into 3-way corners and T-Pieces.  
Fit straight connectors.  
Insert upper wall poles into straight connectors.  
Fit 3-way corners and 4-Way joins on top.



### Step 4

Fit tent roof over frame ensuring Zip Puller is in front center.  
Fit support pole.

